

FEATURES

- Supported by Zennio devices with built-in inputs.
- Motion detection through PIR technology.
- Detection diameter of up to 6m.
- Lighting level sensor with human eye spectral sensitivity.
- Dimensions: Ø48.3 x 41mm.
- Cut dimensions: Ø51mm hole saw blade.
- False-ceiling flush-mounted.
- Conformity with the CE directives (CE-mark on its side).

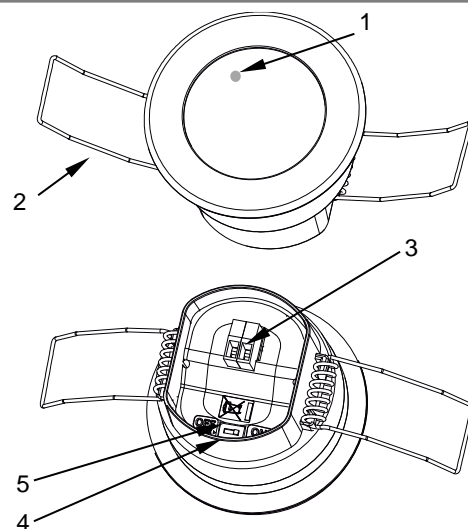


Figure 1: EyeZen IN

1. Detection LED indicator	2. Retaining spring	3. Input connector
4. Detection LED indicator microswitch		5. Lighting level sensor microswitch

GENERAL SPECIFICATIONS

CONCEPT	DESCRIPTION
Type of device	Electric operation control device
Operation temperature	0°C .. +45°C ¹
Storage temperature	-20°C .. +55°C
Operation humidity	5 .. 95%
Storage humidity	5 .. 95%
Protection class	III
Operation type	Continuous operation
Device action type	Type 1
Electrical stress period	Long
Complementary characteristics	Class B
Degree of protection	IP20, clean environment
Installation	Flush-mounted on false ceiling.
Operation indicator	The detection LED indicator blinks twice during initialization. Motion detection is notified by means of a flash of this LED (considering that LED ON/OFF microswitch is in ON position).
Weight	38g
PCB CTI index	175V
Housing material	PC/ABS FR V0 halogen free housing and HDPE lens.

¹ Temperatures over 35°C could decrease the detection length.

ZENNIO DEVICE INPUT SPECIFICATIONS AND CONNECTIONS

CONCEPT	DESCRIPTION	
Connection to Zennio device input	Voltage	3.3V
	Current	Up to 9mA (depending on the surrounding and setting conditions).
Connection method	Pluggable screw terminal block	
Maximum cable length	30m	
Cable cross-section	0.2-1mm ² (IEC) / 26-16AWG (UL)	

NOTE:

The detection time parameter of the input in the Zennio device must have a value greater or equal than 5s.

MICROSWITCHES

MICROSWITCH	ON	OFF
1 – LUX ON/OFF	Luminosity sensor ON	Luminosity sensor OFF
2 – LED ON/OFF	Motion detection LED ON	Motion detection LED OFF

INSTALLATION INSTRUCTIONS

1. Make a $\varnothing 51\text{mm}$ hole on the ceiling.
2. Recover the wiring and connect it to the device.
3. Insert the device into the ceiling hole and allow the retaining springs to close.
4. Fix it, paying attention that it is correctly leveled and oriented, and remove the protective plastic film from the lens.

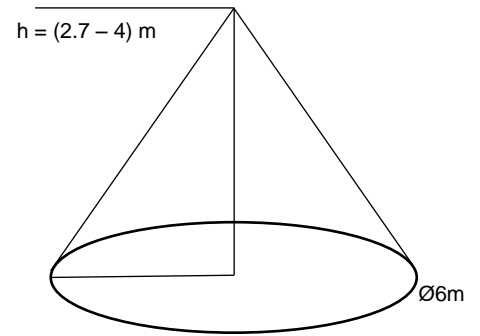
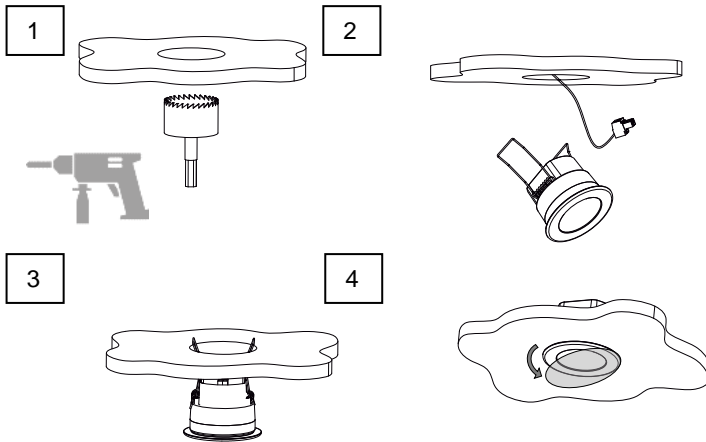


Figure 2: Movement detection range

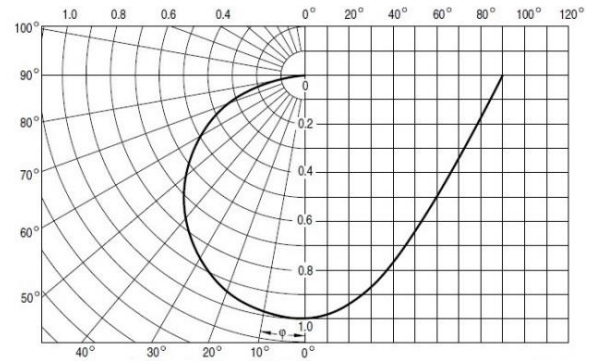
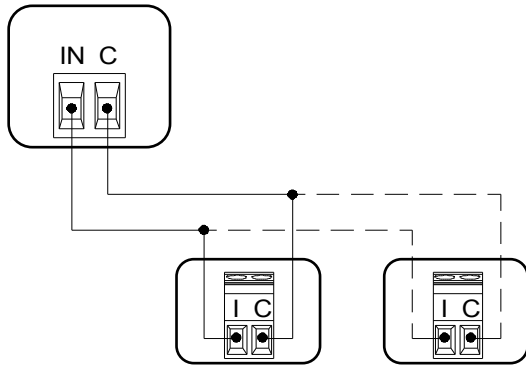


Figure 3: Lighting level sensor sensitivity

CONNECTION DIAGRAM

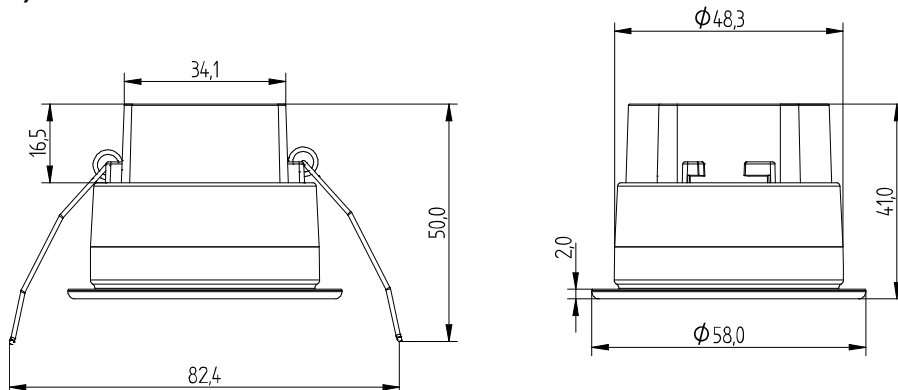
Zennio Device Input



NOTE:

If necessary, it is possible to extend the detection area by parallel connecting up to two sensors to the same input on the Zennio device. In this case, the luminosity sensor can only be enabled in one of them (using the LUX ON/OFF microswitch).

DIMENSIONS (mm)



SAFETY INSTRUCTIONS

- Installation should only be performed by qualified professionals according to the laws and regulations applicable in each country.
- Do not connect the mains voltage nor any other external voltage to any point different to a Zennio input; it would represent a risk for the entire KNX system. The facility must have enough insulation between the mains (or auxiliary) voltage and the input.
- Keep the device away from water (condensation over the device included) and do not cover it with clothes, paper or any other material while in use.

The WEEE logo means that this device contains electronic parts and it must be properly disposed of by following the instructions at <http://zennio.com/weee-regulation>.