

FEATURES

- 8 configurable outputs for 24VAC/DC valve control (Refer to note 2).
- 8 thermostats.
- 10 Logic functions.
- Total data saving on power failure.
- Manual control through buttons and status LED indicators.
- Joint 24VAC/DC supply for the 8 outputs.
- Integrated KNX BCU.
- Dimensions 67 x 90 x 79mm (4.5 DIN units).
- DIN rail mounting (EN 50022), through pressure.
- Conformity with the CE directives (CE-mark on the right side).

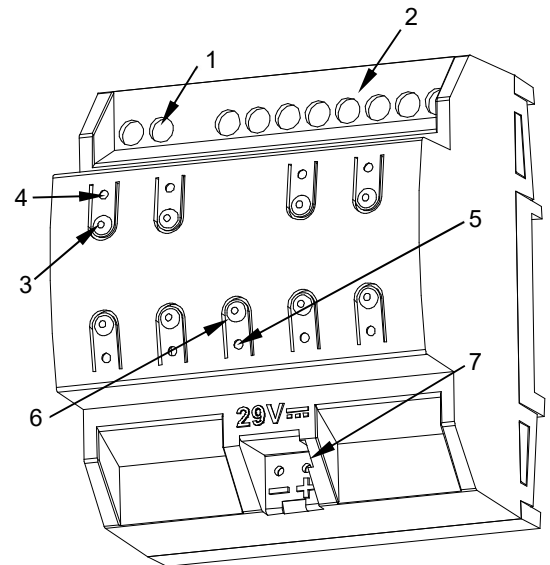


Figure 1: HeatingBOX 24V 8X

1. 24V input (phase or positive)	2. Valve outputs	3. Output control button	4. Output status Indicator LED
5. Programming/Test LED	6. Programming/Test button	7. KNX connector	

Programming/test button: short press to set programming mode. If this button is held while plugging the device into the KNX bus, it enters the safe mode. If this button is held for more than 3 seconds, the device enters the test mode.

Programming/Test LED: programming mode indicator (red). When the device enters the safe mode, it blinks (red) every half second. The manual mode is indicated by the green color. During the start-up (reset or after KNX bus failure) and if the device is not in safe mode, it emits a red flash.

GENERAL SPECIFICATIONS

CONCEPT		DESCRIPTION		
Type of device		Electric operation control device		
KNX supply	Voltage (typical)	29VDC SELV		
	Voltage range	21..31VDC		
	Maximum consumption	Voltage	mA	mW
		29VDC (typical)	7.9	229.7
24VDC ¹	10	240		
Connection type		Typical TP1 bus connector for 0.80mm Ø rigid cable		
External power supply		24VAC 50/60Hz or 24VDC		
Operation temperature		0°C .. +55°C		
Storage temperature		-20°C .. +55°C		
Operation humidity		5 .. 95% (No condens.)		
Storage humidity		5 .. 95% (No condens.)		
Complementary characteristics		Class B		
Protection class		III		
Operation type		Continuous operation		
Device action type		Type 1		
Electrical stress period		Long		
Degree of protection		IP20, clean environment		
Installation		Independent device to be mounted inside electrical panels with DIN rail (EN 50022)		
Minimum clearances		Not required		
Response on KNX bus failure		Data saving according to parameterization		
Response on KNX bus restart		Data recovery according to parameterization		
Operation indicator		The programming LED indicates programming mode (red) and test mode (green). Each output LED indicates its status (fixed=active output; flashing=overload or short-circuit). Several overloads or short-circuits in a short period of time results in the temporal block of the device (blue blinking programming LED)		
Weight		172g		
PCB CTI index		175V		
Housing material		PC FR V0 halogen free		

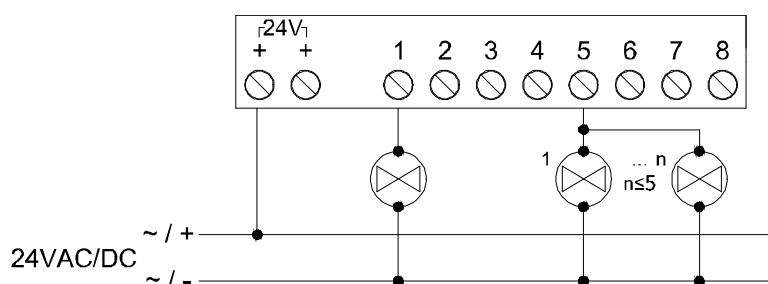
¹ Maximum consumption in the worst case scenario (KNX Fan-In model)

OUTPUTS SPECIFICATIONS AND CONNECTIONS		
CONCEPT	DESCRIPTION	
Number of outputs	8	
Output type	Solid state switching device	
Maximum recommended load per output (AC/DC)	Quantity of valves ²	5
	Stationary current	1A (RMS)
	Maximum inrush current	6A
Short-circuit protection	YES	
Overload protection	YES	
Connection method	Screw terminal block	
Cable cross-section	1.5-4mm ² (IEC) / 26-10AWG (UL)	

² This value could be more restrictive depending on the valve stationary current and inrush current.

EXTERNAL POWER SUPPLY SPECIFICATIONS AND CONNECTIONS	
CONCEPT	DESCRIPTION
Voltage	24VAC 50/60Hz - 24VDC
Connection method	Screw terminal block
Cable cross-section	1.5-4mm ² (IEC) / 26-10AWG (UL)

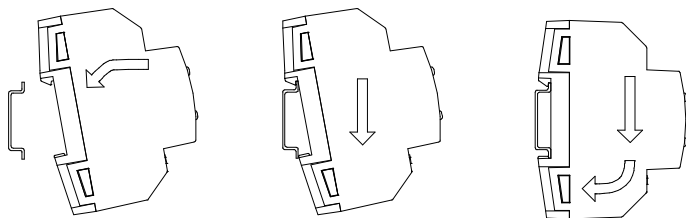
WIRING DIAGRAMS



- **NOTE 1:** Simultaneous connection of one valve to several outputs is not allowed.
- **NOTE 2:** Only for DC valves: a wrong polarity in the connection of auxiliary power may result in malfunction of the overload/short-circuit notification.

Figure 2: Wiring example: one valve per output and several valves per output.

Attaching HeatingBOX 24V 8X to DIN rail:



Removing HeatingBOX 24V 8X from DIN rail:

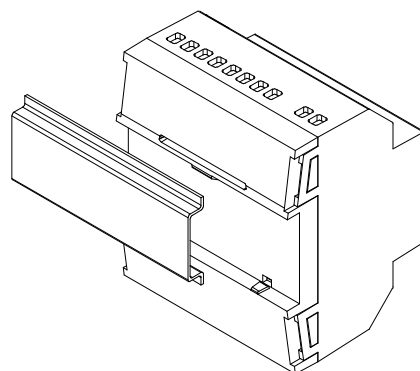
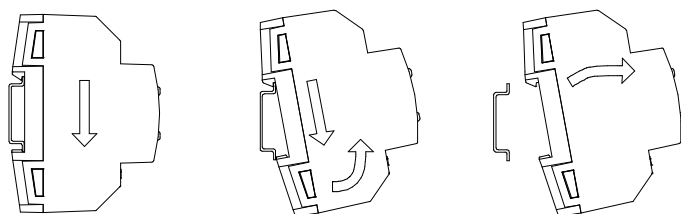


Figure 3: Mounting HeatingBOX 24V 8X on DIN rail

SAFETY INSTRUCTIONS

- Installation should only be performed by qualified professionals according to the laws and regulations applicable in each country.
- Do not connect the mains voltage nor any other external voltage to any point of the KNX bus; it would represent a risk for the entire KNX system. The facility must have enough insulation between the mains (or auxiliary) voltage and the KNX bus or the wires of other accessories, in case of being installed.
- The facility must be equipped with a device that ensures the omnipolar sectioning. Installation of a 10A mini-circuit-breaker is recommended. To prevent accidents, it must remain open in case of manipulation of the device.
- Once the device is installed (in the panel or box), it must not be accessible from outside.
- Keep the device away from water and do not cover it with clothes, paper or any other material while in use.
- The WEEE logo means that this device contains electronic parts and it must be properly disposed of by following the instructions at <http://zennio.com/weee-regulation>.