

MDT Object Controller 55, White glossy finish

With temperature/humidy sensor and 4 inputs

Version		
SCN-RTR55O.01	Object Controller 55	To fit 55mm systems/ranges, White glossy finish

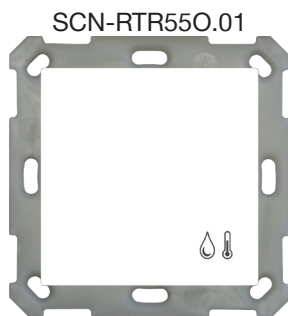
The MDT Object Controller 55 with integrated temperature and humidity sensor is used for indoor room temperature regulation. The comfort zone of the indoor climate is set via Min./Max. values at the parameterization of the Object Controller. Switch Actuators/Heating Actuators with electrothermic valves or motorized KNX actuators can be controlled by the Object Controller.

Additionally the Object Controller 55 has 4 binary inputs to connect potential free contacts. The inputs can be used for direct connection of window contacts, buttons/switches for lighting control or blind control. The length of connection cables is 22cm.

Fits 55mm systems/ranges:

- GIRA Standard 55, E2,E22, Event, Esprit
- BERKER S1, B3, B7
- JUNG A 500, A CREATION, AS 500, A550, A FLOW
- MERTEN 1M, M-Smart, M-Plan, M-Pure

The MDT Object Controller 55 is a flush mounted device for fixed installations in dry rooms. For project design and commissioning of the Object Controller 55 it is recommended to use the ETS. Please download the application software at www.mdt.de/downloads.html



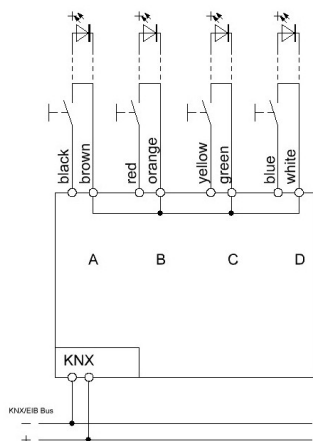
- Production in Germany, certified according to ISO 9001
- Fits 55mm systems/ranges
- **Room temperature controller for indoor rooms**
Range -10 to +50°C
- **Selectable temperature controller (PI, Two-position, PWM)**
- 1Bit +/-, 1Byte oder 2Byte absolute object for setpoint adjustment
- Setpoint values are stored at bus voltage failure
- Limit values min/max, frost protection alarm, min/max memory
- Operation mode can be set via Bit/Byte objects
- **Temperature and humidy sensor with dew point calculation**
- Message when leaving the comfort zone
- **4 binary inputs to connect potential free contacs (push-buttons or window/auxiliary contacts)**
- Ventilation control by hand or automatic operation
- 14Byte object for plain text diagnostic
- Installation in a installation box with included support ring
Recommended installation height: 1,6m
length of connection cables: 22cm
- Integrated bus coupling unit
- 3 years warranty

Technical Data	SCN-RTR550.01		
Measurement range temperature sensor	0 to + 45°C		
Measurement range humidity sensor	0 - 95%*		
Number of inputs	4 (for potential free contacts)		
Internal contact voltage	3,3VDC** internal		
Recommended installation height	1,60m		
Specification KNX interface	TP-256		
Available application software	ETS 5		
Permitted wire gauge			
KNX busconnection terminal	0,8mm Ø, solid core		
Power supply	KNX bus		
Power consumption KNX bus typ.	<0,3W		
Operation temperature range	0 to + 45°C		
Ambient humidity (permanent)	20 - 80%		
Ambient humidity (short-term)	0 - 95%		
Enclosure	IP 20		
Dimensions (W x H)	55mm x 55mm		
Installation depth in installaton box	12mm		

* Avoid condensation

** There is no galvanic separation between contact voltage and KNX bus voltage.

Exemplary circuit diagram SCN-RTR550.01



Compatible to 55mm programs

Manufacturer	Series
Berker	B.7 Glas polarweiß
Berker	B.3 Alu polarweiß
Berker	S.1 polarweiß
Berker	B.1 polarweiß matt
Berker	B.7 Glas Alu
Berker	S.1 polarweiß matt
Gira	Standard 55 reinweiß seidenmatt
Gira	E2 reinweiß seidenmatt
Gira	E22 reinweiß glänzend
Gira	Esprit Glas mint
Gira	Esprit Glas weiß
Gira	Event Alu
Gira	Event reinweiß matt
Merten	M-Smart polarweiß brillant
Merten	M-Plan polarweiß edelmatt
Merten	M-Arc polarweiß edelmatt
Merten	M-Pure
Merten	M-Plan Echtglas brillantweiß
Merten	M-Smart polarweiß
Jung	A 500
Jung	A CREATION
Jung	AS 500
Jung	A 550
Jung	A FLOW