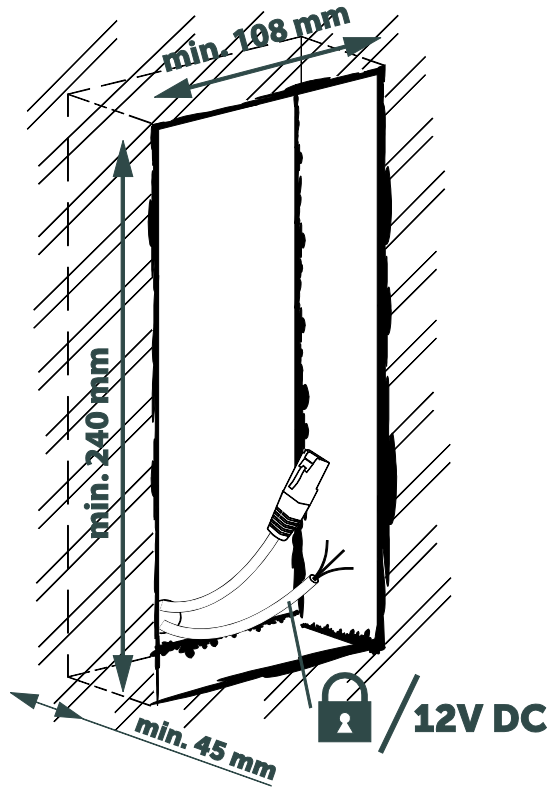


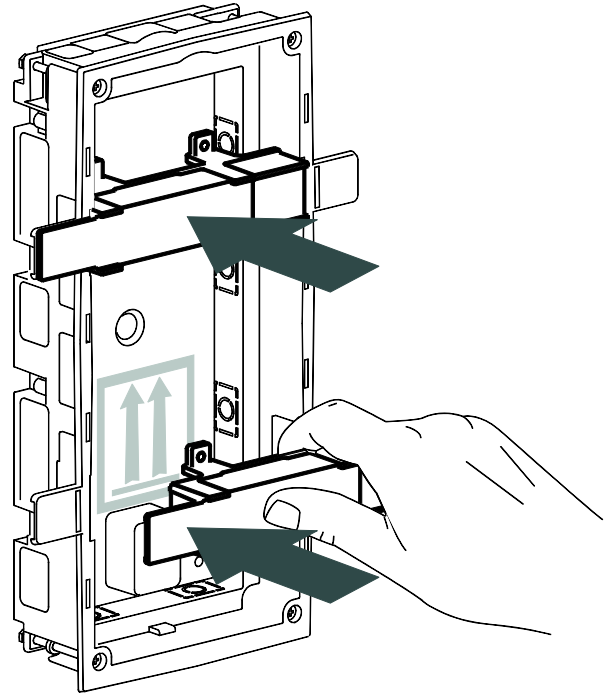
Note: This product must be purchased together with the frame ZVP-FFRA2

ASSEMBLY OF FLUSH-MOUNT BOX ON A WALL (ONE-COLUMN LAYOUT)

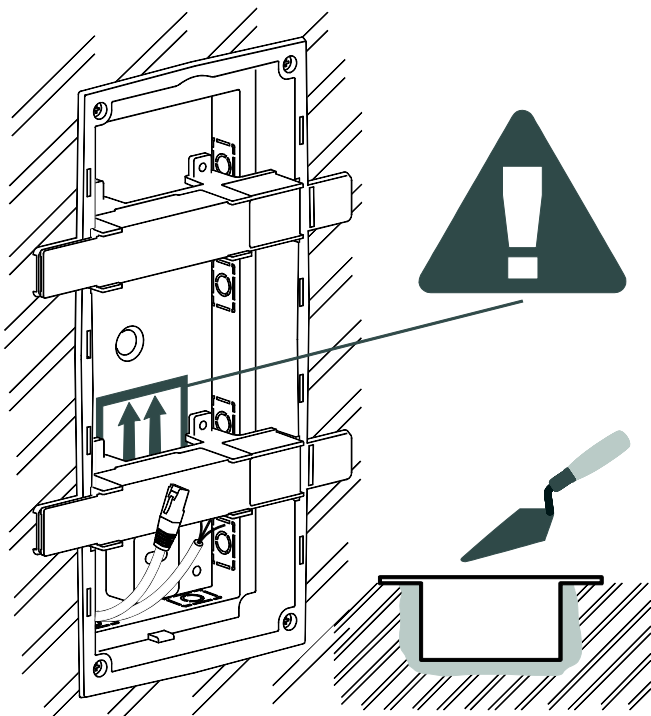
1 Please make a hole in the wall with the suitable dimensions and considering that the cables must remain inside the hole.



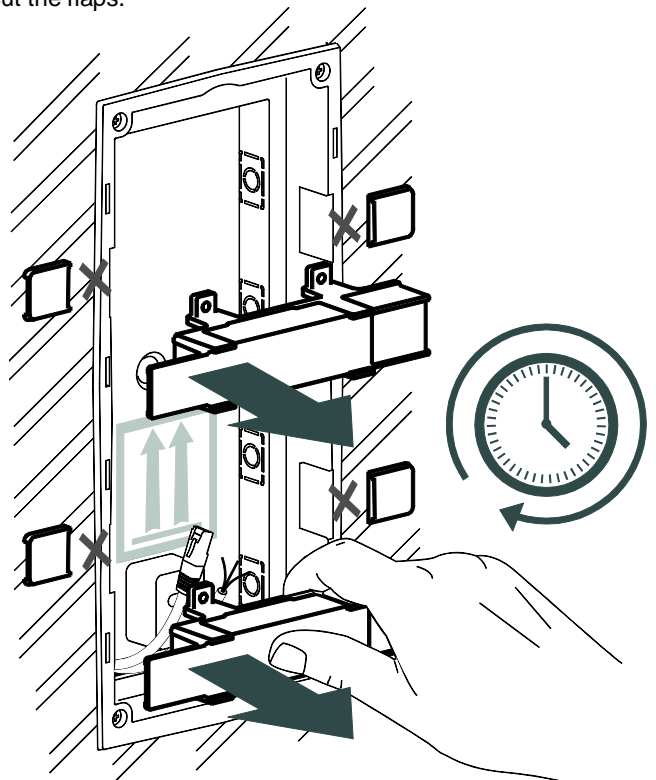
2 Install the auxiliary parts for the flush-mount assembly.



3 Fix the box by means of mortar, adhesive cement or any other similar construction material. Please, respect the top orientation mark and recover the cables.

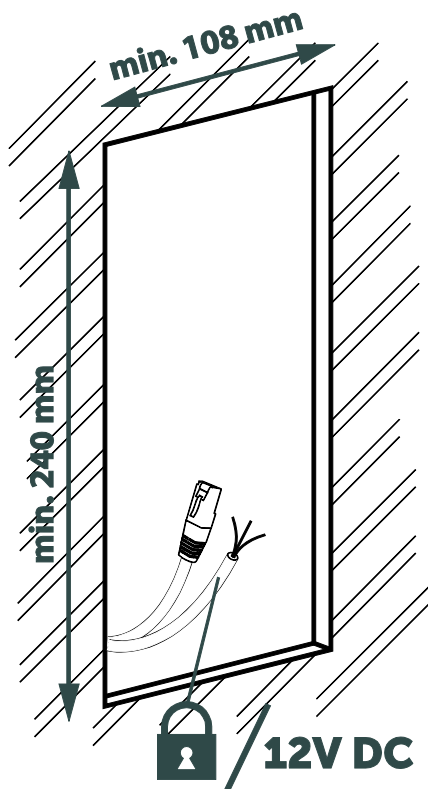


4 After the setting time, please remove the auxiliary parts and cut the flaps.

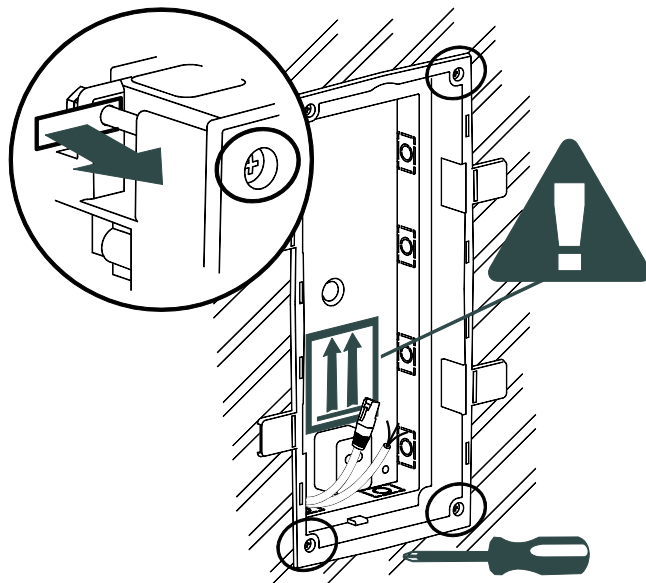


ASSEMBLY OF FLUSH-MOUNT BOX ON A DRYWALL (ONE-COLUMN LAYOUT)

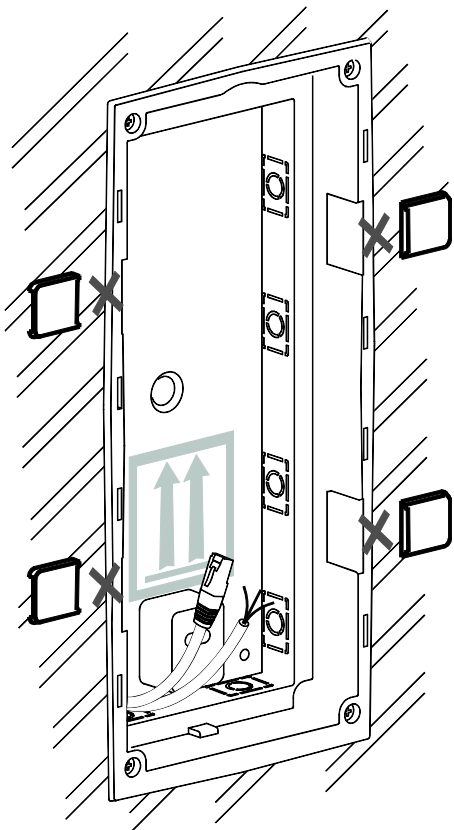
1 Please make a hole in the drywall with the suitable dimensions and considering that the cables must remain inside the hole.



2 Place the box in the hole, recover the cables and fix the flush-mount box to the drywall by means of the screws that adjust the flaps to the drywall thickness. Please, pay attention to the top orientation mark.

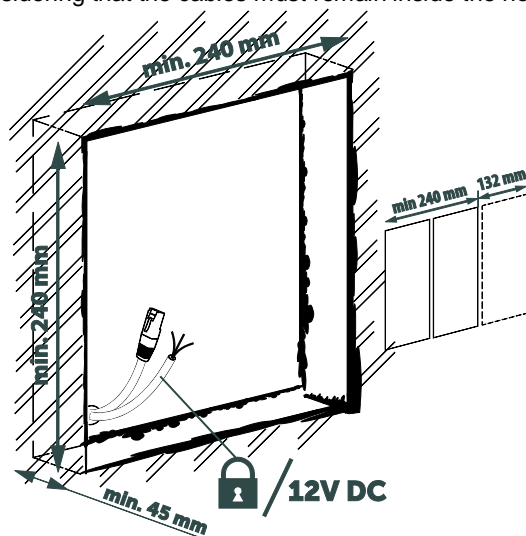


3 Cut and remove the flaps.

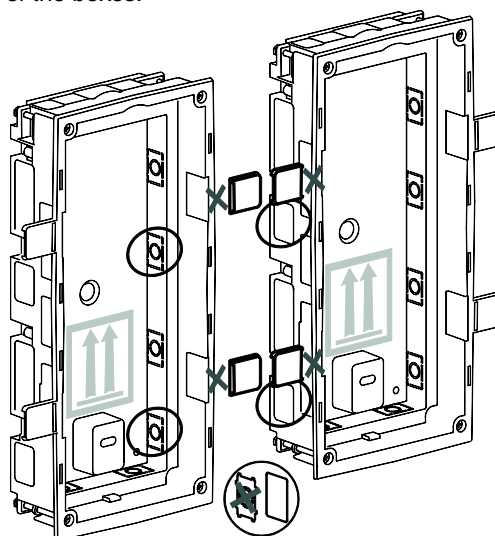


ASSEMBLY OF FLUSH-MOUNT BOX ON A WALL (MULTIPLE-COLUMN LAYOUT)

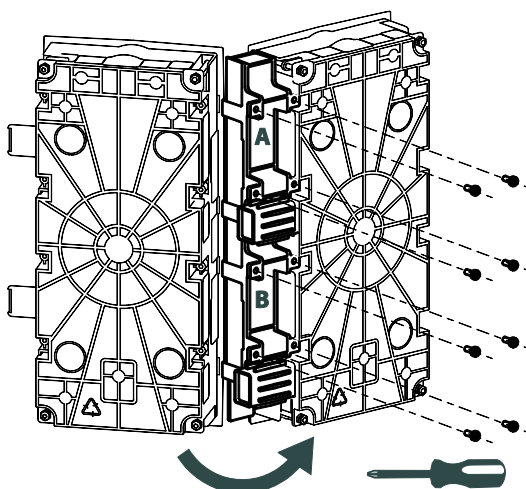
1 Please make a hole in the wall with the suitable dimensions and considering that the cables must remain inside the hole.



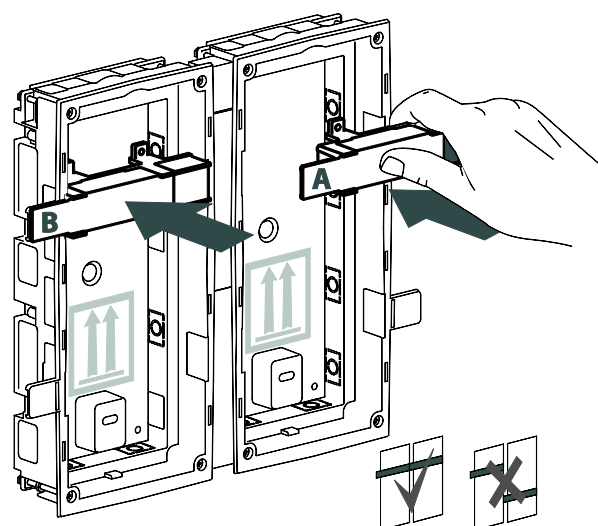
2 Cut the flaps and open the marked holes in the adjoining sides of the boxes.



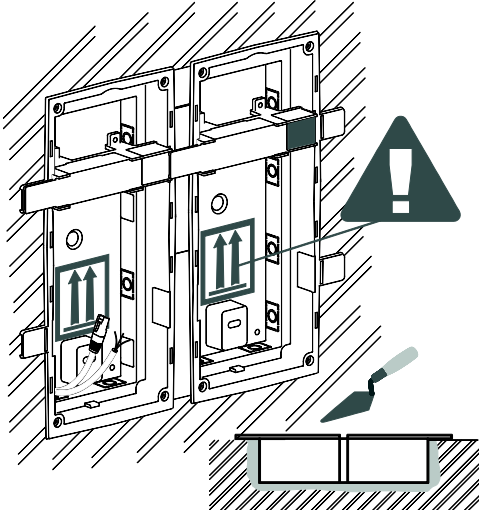
3 Assemble the boxes by using the auxiliary parts (A and B) and the tube-shape parts. Fix it with the screws.



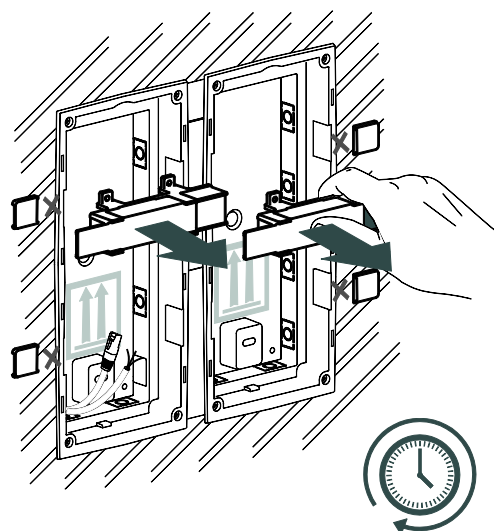
4 Install the auxiliary parts (A and B) as shown in the figure below.



5 Fix the box by means of mortar, adhesive cement or any other similar construction material. Please, keep the top orientation mark and recover the cables.

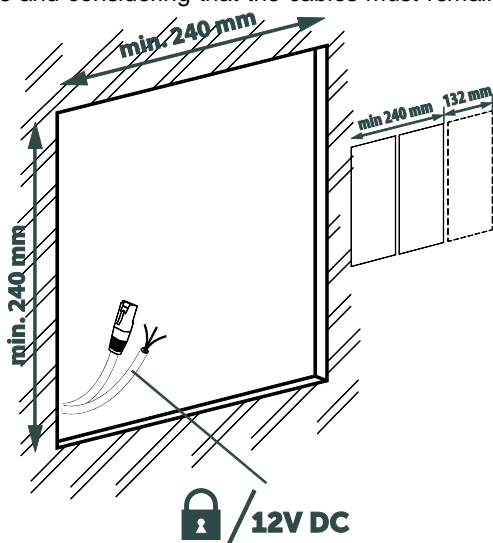


6 After setting time, please remove the auxiliary parts and cut the flaps.

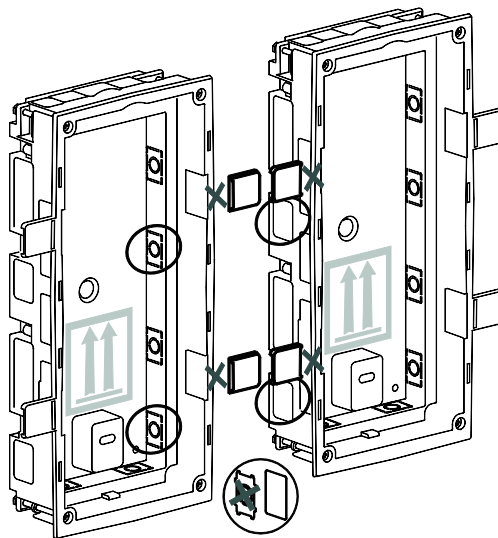


ASSEMBLY OF FLUSH-MOUNT BOX ON A DRYWALL (MULTIPLE-COLUMN LAYOUT)

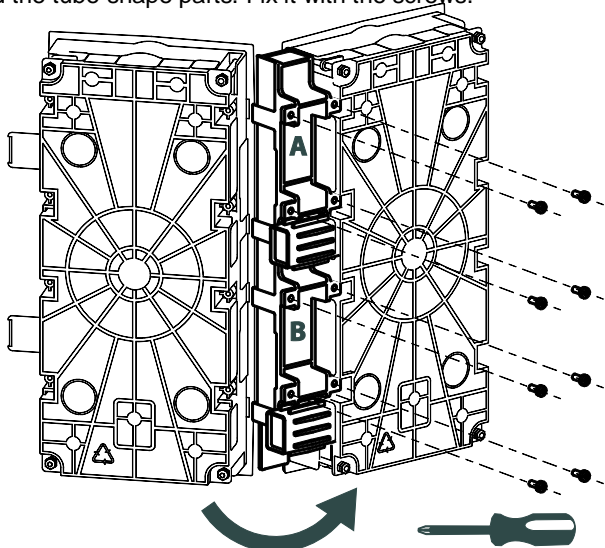
1 Please make a hole in the drywall with the suitable dimensions and considering that the cables must remain inside the hole.



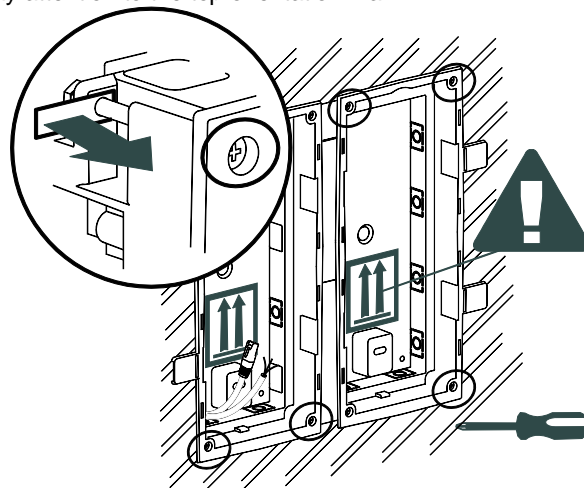
2 Cut the flaps and open the marked holes in the adjoining sides of the boxes.



3 Assemble the boxes by using the auxiliary parts (A and B) and the tube-shape parts. Fix it with the screws.



4 Place the assembled box in the hole, recover the cables and fix the flush-mount box to the drywall by means of the screws that adjust the flaps to the drywall thickness. Please, pay attention to the top orientation mark.



5 Cut and remove the flaps.

