

MDT Brightness-/Weather devices

Version		
SCN-WS3HW.01	Weather Station Home	Outdoor installation on wall or pole, flush mounted control unit
SCN-SS1H.01	Sun Sensor	Indoor installation with vacuum cup, flush mounted control unit
SCN-RS1R.01	Rain Sensor	Outdoor installation, Surface mounted

MDT technologies offers three Brightness / Weather devices:

Wetter Station Home:

- 3 channels for sun protection to control blind/shutter
- Sun protection up to 3 facades
- Offers wide functions to control facades (2 switching treshold, teach in function)
- Central shutter control for Up/Down via brightness value (with time delay)
- Brightness value for east, south, west, twilight
- Wind speed value, alarm if wind speed exceeds limit, temperature value
- Suited to control facades at home
- Installation on wall or pole, 5m connection cable
- No additional power supply required
- Integrated bus coupling unit
- 3 years warranty

Sun Sensor:

- Brightness sensor with vacuum for window installation
- 2 inputs to connect push button for blind control
- Hysteresis and time delay programmable
- 2m connection cable
- Flush mounted control unit
- Operation mode 1: Installation on window without blinds
- Operation mode 2: Installation on window with blinds
- No additional power supply required
- Integrated bus coupling unit in control unit
- 3 years warranty

Rain Sensor:

- Integrated, automatically heating
- Heating operation by choke free output STV-640 or external 24VDC power supply
- Current consumption of heating is <100mA
- 5m bus connection cable
- Stainless fastening angle included in delivery
- Dimensions (W x H x D): 67mm x 67mm x 29mm
- Integrated bus coupling unit
- 3 years warranty

For project design and commissioning of the Brightness/Weather devices it is recommended to use the ETS3f/ETS4 or later. Please download the application software at www.mdt.de/Downloads.html

SCN-SS1H.01



- Production in Germany, certified according to ISO 9001
- Modern design
- Fully compatible to all KNX/EIB devices
- Integrated bus coupling unit
- 3 years warranty

SCN-WS3HW.01



SCN-RS1R.01

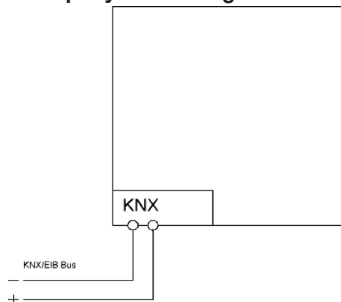


Technical Data	SCN-SS1H.01	SCN-WS3HW.01	SCN-RS1R.01
Measured data	Brightness	Brightness, Wind, Twilight, Temperature	Rain
Twilight range	--	0 - 1000 lux	--
Daylight range	0- 100000 lux	0- 100000 lux	--
Temperature range*	--	-30°C to + 70°C	--
Windspeed range	--	0 - 32 m/s	--
Permitted wire gauge			
KNX busconnection	0,8mm Ø, solid core	0,8mm Ø, solid core	0,8mm Ø, solid core
Power supply	KNX Bus	KNX Bus	KNX Bus
Power consumption via KNX bus typ.	< 0,3W	< 0,3W	< 0,3W**
Operation temperature range	0 to + 45°C	-20 to + 70°C	0 to + 45°C
Enclosure	IP 20	IP 44	IP 45
Dimensions control unit (W x H x D)	41mm x 41mm x 12mm	--	67mm x 67mm x 29mm

* Depending on mounting position the measured temperature value can be different from real temperature value.

** Without heating. Heating operation by choke free output STV 640 or external 24VDC power supply. Current consumption of heating is <100mA

Exemplary circuit diagram SCN-xSxxx.01



Exemplary circuit diagram SCN-RS001.01

