

MDT Switch Actuator 3/6-fold with active power measurement, MDRC

Version		
AZI-0316.03	Switch Actuator 3-fold	4SU MDRC, 230 V AC, 16/20 A, C-Load 200 µF, with active power meter
AZI-0616.03	Switch Actuator 6-fold	8SU MDRC, 230 V AC, 16/20 A, C-Load 200 µF, with active power meter

The channels of the MDT switch actuator are switched independently of each other via bistable relays. Manual operation is possible via the buttons on the actuator. Each output can be individually programmed via the ETS. Logical links, threshold functions, status feedback, lock functions, central switching functions as well as comprehensive time functions such as on/off delays and staircase lighting functions are available for selection. Scene functions are also available.

The MDT Switch Actuator AZI enables both current measurement per channel and measurement of the total current in mA or A. With the integrated active power meter, the energy consumption (Wh/kWh) can be precisely measured. The actuator has an operating hours meter / service countdown timer.

In the event of a mains voltage failure, all relays maintain their current switching position. In the event of a bus voltage failure or a return, the switching positions of the relays can be programmed individually for each channel.

The switch actuator is intended for fixed mounting on a 35 mm DIN rail in power distribution in dry indoor spaces.

For project design and commissioning of the MDT Switch Actuator it is recommended to use the ETS 5 or later. Please download the application software at <https://www.mdt.de/en/for-professionals/downloads.html>

Mixed operation of nominal and safety extra low voltage (SELV) within the actuator is not permitted!

AZI-0316.03



AZI-0616.03



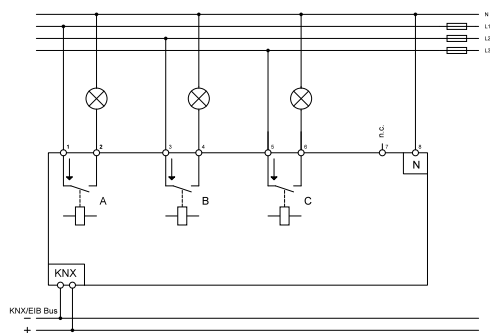
- **Comprehensive application**
- **Integrated True RMS current measurement and voltage measurement**
- **True active power meter (Wh / kWh)**
- **Current measurement range 10 mA to 20 A**
- **Active power-, reactive power-, current- and voltage values**
- Push Button for manual operation and LED indicator for each channel
- Time functions (switch-on/switch-off delay, staircase light function)
- **Threshold switch function and Consumption threshold value**
- Priority / forced operation with automatic release time
- Logical linking of binary data, 8 scenes per channel
- Operating hours meter
- Extended status functions (inverted, cyclic, when locked)
- Adjustable behaviour on bus voltage failure / -return
- All L-connections separated, 4 mm² / 2 x 2,5 mm² connection terminals
- Modular installation device for DIN 35 mm rails
- Integrated bus coupling unit
- 3 years warranty

Technical Data	AZI-0316.03	AZI-0616.03
Number of outputs	3	6
Current measurement range	10 mA - 20 A	10 mA - 20 A
Measuring inaccuracy	2 %	2 %
Sampling rate	2000 samples / 500 ms	2000 samples / 500 ms
Output switching ratings		
Ohmic load	16/20 A *	16/20 A *
Capacitive load	200 µF at 16 A	200 µF at 16 A
Voltage	230 V AC	230 V AC
Maximum inrush current	600 A / 150 µs 300 A / 600 µs	600 A / 150 µs 300 A / 600 µs
Maximum load		
Incandescent lamps	3680 W	3680 W
Halogen lamps 230 V	3680 W	3680 W
Halogen lamps, electronic transformer	2000 W **	2000 W **
Fluorescent lamps, not compensated	3680 W	3680 W
Fluorescent lamps, parallel comp.	2500 W	2500 W
Max. number of electronic transformers	28	28
Output life expectancy (mechanical)	1.000.000	1.000.000
Max. total current of the actuator	48 A	72 A
Specification KNX interface	TP-256	TP-256
Available application software	ETS 5/6	ETS 5/6
Permitted wire gauge		
Screw terminal	0,5 - 4,0 mm ²	0,5 - 4,0 mm ²
KNX bus connection terminal	Ø 0,8 mm, solid core	Ø 0,8 mm, solid core
Torque screw terminal	0,5 Nm	0,5 Nm
Power supply	KNX bus	KNX bus
Power consumption KNX bus typ.	< 0,4 W	< 0,4 W
Operation temperature range	0 ... 45 °C	0 ... 45 °C
Enclosure	IP20	IP20
Dimensions MDRC (Space Units)	4 SU	8 SU

* Total current carrying capacity neighbouring outputs max. 32 A

** Low voltage halogen lamps with electronic transformer

Exemplary circuit diagram AZI-0316.03



Exemplary circuit diagram AZI-0616.03

