

FEATURES

- Customizable polycarbonate surface with 1/2/4/6 touch areas with backlight
- Available in the following colors: silver (RAL 9006), anthracite black (RAL 9004) and white (RAL 9016)
- 1 input for temperature probe
- Thermostat
- Touch confirmation through acoustic feedback
- Proximity and luminosity sensor
- Total data saving on KNX bus failure
- Integrated KNX BCU (TP1-256)
- Dimensions 55.5 x 55.5 x 25.6 mm
- Flush mount on back box
- Conformity with the CE, UKCA, RCM directives (marks on the back side)

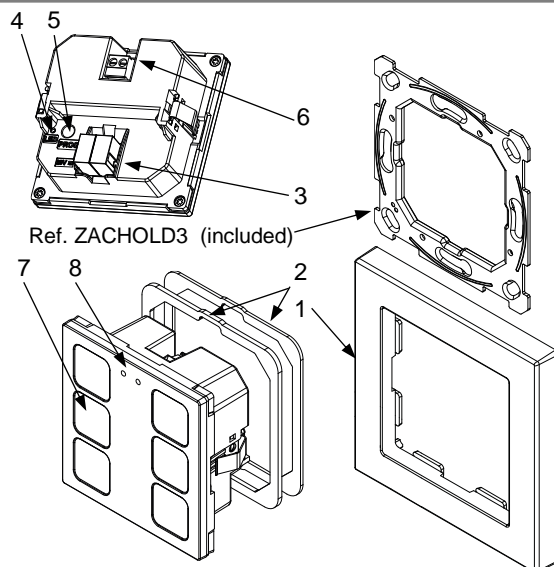


Figure 1: Tecla 55 X1/X2/X4/X6

1. Decorative frame (sold separately)	2. Metallic levelling plate (1 and 1.5 mm)	3. KNX connector	4. Programming LED
5. Programming button	6. Temperature probe connector	7. Touch area	8. Luminosity and proximity sensor

Programming button: short press to set programming mode. If this button is held while plugging the device into the KNX bus, it enters the safe mode.

Programming LED: programming mode indicator (red). When the device enters the safe mode, it blinks (red) every half second. During the start-up (reset or after KNX bus failure) and if the device is not in safe mode, it emits a red flash.

GENERAL SPECIFICATIONS

CONCEPT		DESCRIPTION											
Type of device		Electric operation control device											
Voltage (typical)		29 VDC SELV											
Voltage range		21-31 VDC											
KNX supply	Maximum consumption	29 VDC (typical)	<table border="1"> <thead> <tr> <th>mA</th> <th>mW</th> </tr> </thead> <tbody> <tr> <td>ZVIT55X6 (9.3)</td> <td>ZVIT55X6 (269.7)</td> </tr> <tr> <td>ZVIT55X4 (7.8)</td> <td>ZVIT55X4 (226.2)</td> </tr> <tr> <td>ZVIT55X2 (6.1)</td> <td>ZVIT55X2 (176.9)</td> </tr> <tr> <td>ZVIT55X1 (5.9)</td> <td>ZVIT55X1 (171.1)</td> </tr> </tbody> </table>	mA	mW	ZVIT55X6 (9.3)	ZVIT55X6 (269.7)	ZVIT55X4 (7.8)	ZVIT55X4 (226.2)	ZVIT55X2 (6.1)	ZVIT55X2 (176.9)	ZVIT55X1 (5.9)	ZVIT55X1 (171.1)
		mA	mW										
	ZVIT55X6 (9.3)	ZVIT55X6 (269.7)											
	ZVIT55X4 (7.8)	ZVIT55X4 (226.2)											
ZVIT55X2 (6.1)	ZVIT55X2 (176.9)												
ZVIT55X1 (5.9)	ZVIT55X1 (171.1)												
24 VDC ¹	<table border="1"> <thead> <tr> <th>mA</th> <th>mW</th> </tr> </thead> <tbody> <tr> <td>ZVIT55X6 (12.5)</td> <td>ZVIT55X6 (300)</td> </tr> <tr> <td>ZVIT55X4 (10)</td> <td>ZVIT55X4 (240)</td> </tr> <tr> <td>ZVIT55X2 (10)</td> <td>ZVIT55X2 (240)</td> </tr> <tr> <td>ZVIT55X1 (10)</td> <td>ZVIT55X1 (240)</td> </tr> </tbody> </table>	mA	mW	ZVIT55X6 (12.5)	ZVIT55X6 (300)	ZVIT55X4 (10)	ZVIT55X4 (240)	ZVIT55X2 (10)	ZVIT55X2 (240)	ZVIT55X1 (10)	ZVIT55X1 (240)		
mA	mW												
ZVIT55X6 (12.5)	ZVIT55X6 (300)												
ZVIT55X4 (10)	ZVIT55X4 (240)												
ZVIT55X2 (10)	ZVIT55X2 (240)												
ZVIT55X1 (10)	ZVIT55X1 (240)												
Connection type		Typical TP1 bus connector for 0.8 mm Ø rigid cable											
External power supply		Not required											
Operation temperature		0 .. +55 °C											
Storage temperature		-20 .. +55 °C											
Operation humidity		5 .. 95%											
Storage humidity		5 .. 95%											
Complementary characteristics		Class B											
Protection class		III											
Operation type		Continuous operation											
Device action type		Type 1											
Electrical stress period		Long											
Degree of protection		IP20, clean environment											
Installation		Flush mount on back box											
Minimum clearances		Not required											
Response on KNX bus failure		Data saving according to parameterization											
Response on KNX bus restart		Data recovery according to parameterization											
Operation indicator		The programming LED indicates programming mode (red). Backlighting of touch areas depending on their parameterization.											
Weight		38 g											
Housing material		PC+ABS FR V0 halogen free											

¹ Maximum consumption in the worst-case scenario (KNX Fan-In model).

TEMPERATURE PROBE INPUT SPECIFICATIONS AND CONNECTIONS

CONCEPT	DESCRIPTION
Number of inputs	1
Operation voltage	+3.3 VDC in the common
Operation current	1 mA @ 3.3 VDC
Switching type	Dry voltage contacts between input and common
Connection method	Pluggable screw terminal block (0.2 Nm max.)
Cable cross-section	0.2-1 mm ² (IEC) / 26-16 AWG (UL)
Maximum cable length	30 m
NTC accuracy (@ 25 °C) ²	±0.5 °C
Temperature resolution	0.1 °C
Maximum response time	10 ms

² For Zennio temperature probes.

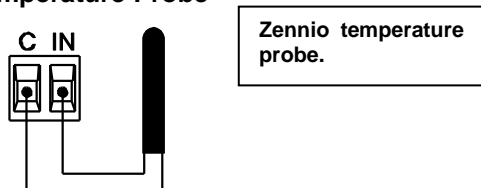
FRAME TEMPERATURE SENSOR SPECIFICATIONS

CONCEPT	DESCRIPTION
Measuring range	-30 .. +90 °C
Temperature resolution	0.1 °C
NTC accuracy (@ 25 °C)	±0.5 °C

TEMPERATURE PROBE INPUT CONNECTION

Any combination of the following accessories is allowed in the inputs:

Temperature Probe* **

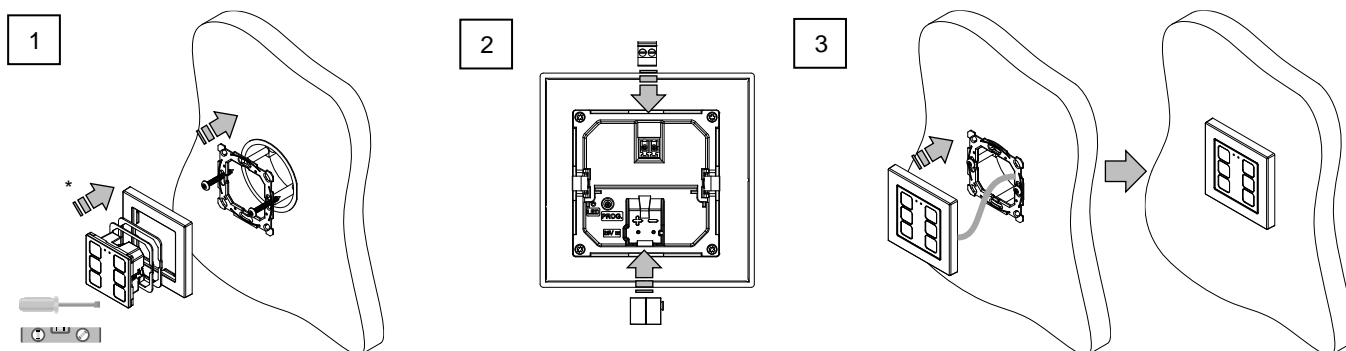


⚠ Commons of different devices must not be connected together.

* May be a Zennio temperature probe or any NTC with known resistance values at three points in the range [-55, 150 °C].

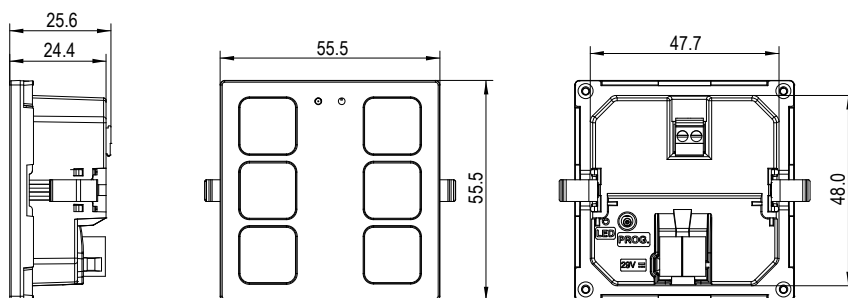
** To use a temperature probe as an internal sensor, a proper thermal transfer must be ensured, for example, by installing it in the small internal notch of the Zennio decorative frame (sold separately).

INSTALLATION INSTRUCTIONS



* (Optional) Insert the metallic levelling plate/s so the device stays at the desired level.

DIMENSIONS (MM)



SAFETY INSTRUCTIONS AND ADDITIONAL NOTES

- Installation should only be performed by qualified professionals according to the laws and regulations applicable in each country.
- Do not connect the mains voltage nor any other external voltage to any point of the KNX bus; it would represent a risk for the entire KNX system. The facility must have enough insulation between the mains (or auxiliary) voltage and the KNX bus or the wires of other accessories, in case of being installed.
- Keep the device away from water (condensation over the device included) and do not cover it with clothes, paper or any other material while in use.
- In order to improve the lifespan of the LED indicators, parameterising constant lighting is not recommended.
- The WEEE logo means that this device contains electronic parts and it must be properly disposed of by following the instructions at <https://www.zennio.com/en/legal/wEEE-regulation>.
- This device contains software subject to specific licences. For details, please refer to <https://zennio.com/licenses>.